

RFCRFF-E-ARSM

REVERSE FLOW FAN FILTER UNIT - MOBILE UNIT

ARSM - Motor and Filter Accessible from Room Side

STANDARD OPTIONS

- 304 Stainless Steel
- #4 Satin Finish
- 51% Perf Face
- Pre-Filter
- HEPA Filter - 99.99% on 0.3µm
- Round Duct Collar Kit
- Push/Pull Handle
- 4 Swivel Casters - (2) with Brakes
- 120VAC Motor
- 10Ft Hospital Grade Cord w/Plug
- Adjustable Face Control
- Constant Speed

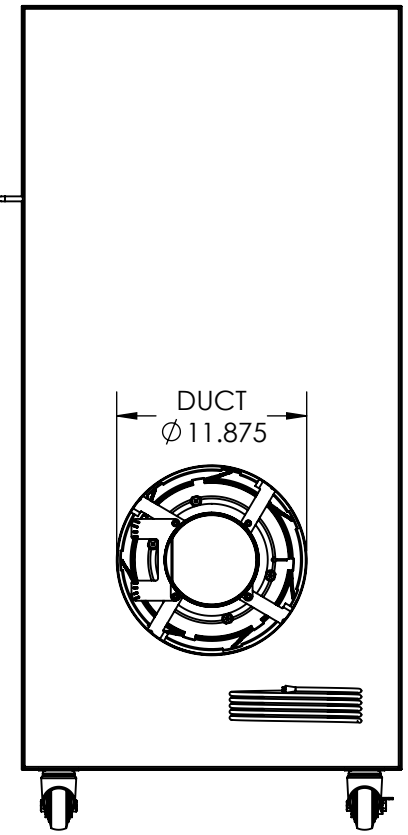
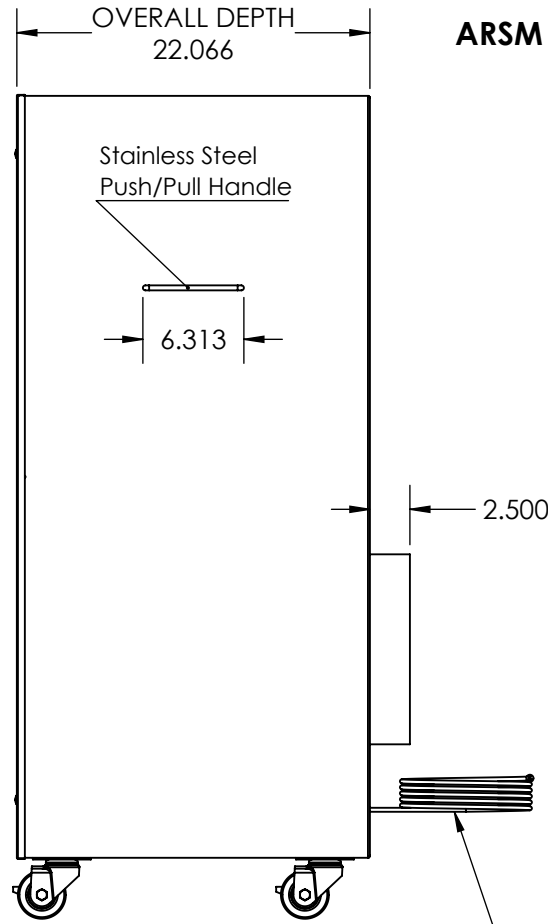
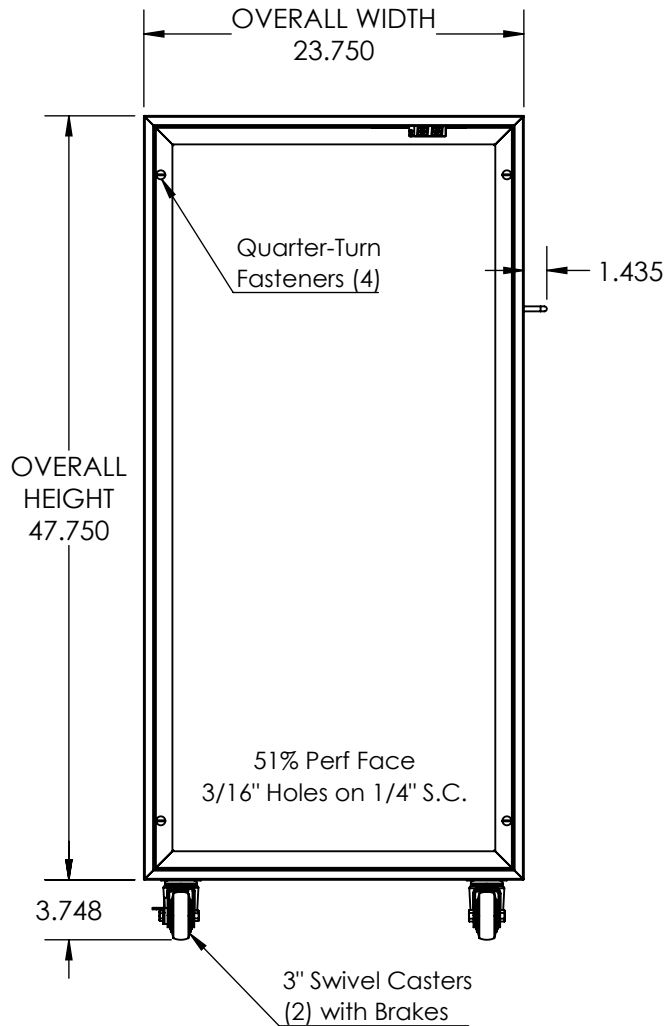


| | | | | | |
|--------------|--------------------|------------|----------------------------|-----|--------------|
| DRAWN SLG | MATERIAL 304SS | JOB NAME | TAG | QTY | REV # |
| CHKD RH | FINISH #4 SATIN | ENGINEER | DRAWING NAME 032520-162 | | SHT 1/3 |
| APRVD | SIZE 48 x 24 | CONTRACTOR | | | DO NOT SCALE |

RFCRFF-E-ARSM

REVERSE FLOW FAN FILTER UNIT - MOBILE UNIT

ARSM - Motor and Filter Accessible from Room Side



10Ft Hospital Grade
NEMA 5-15 Cord w/Plug
Detachable from Unit

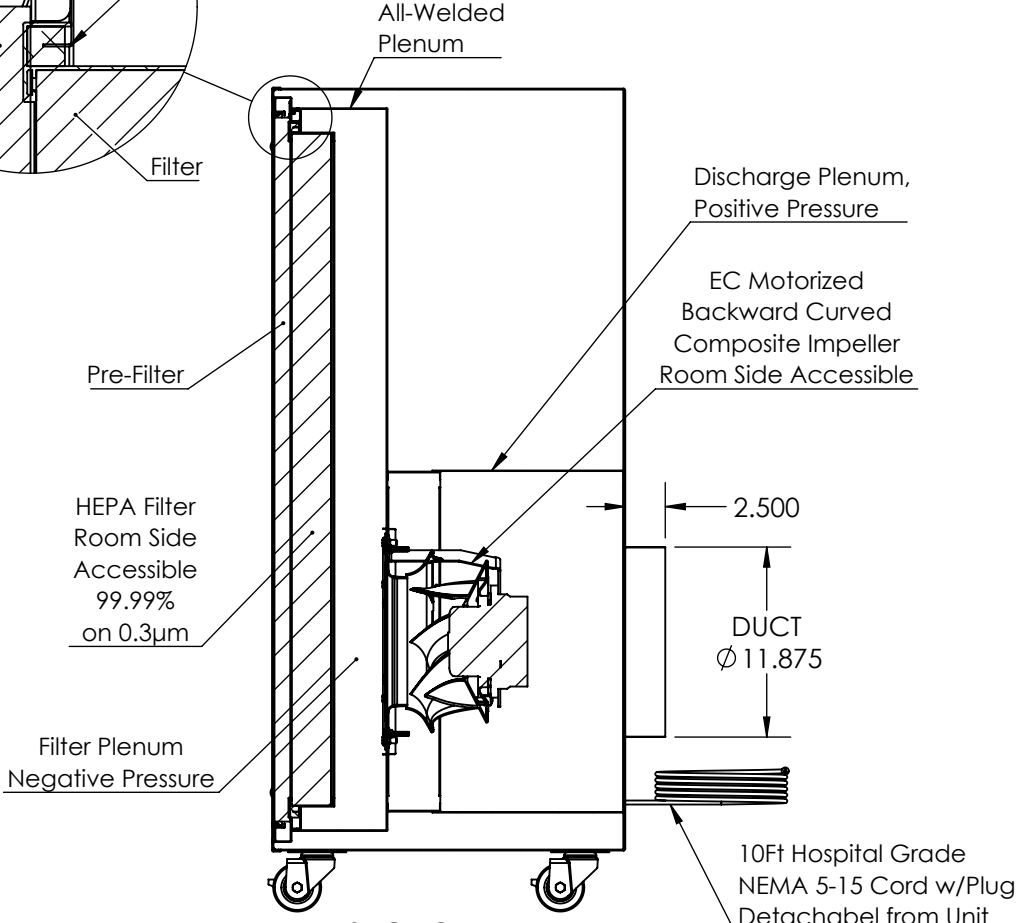
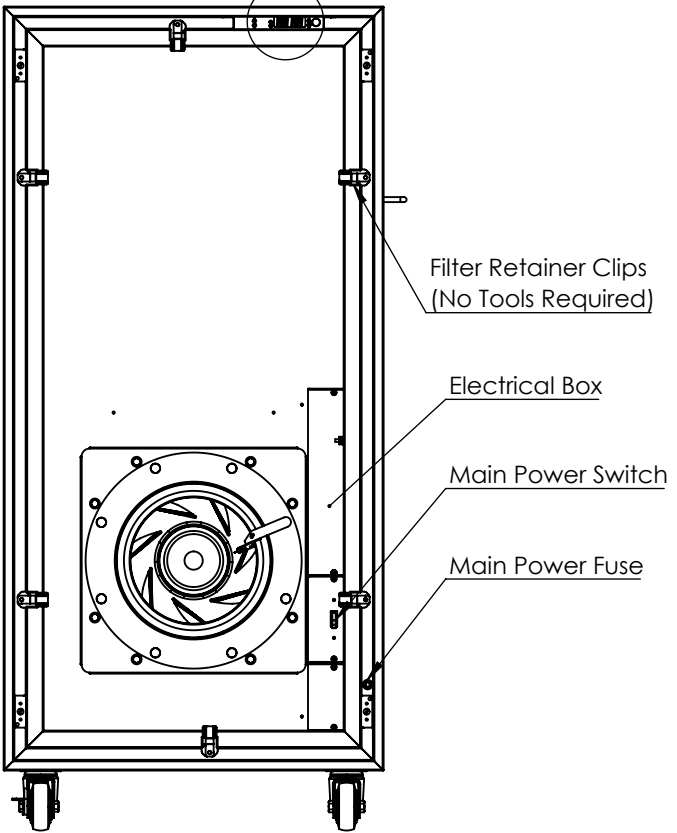
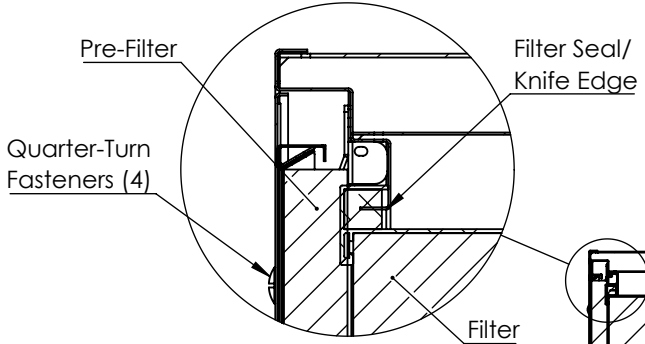
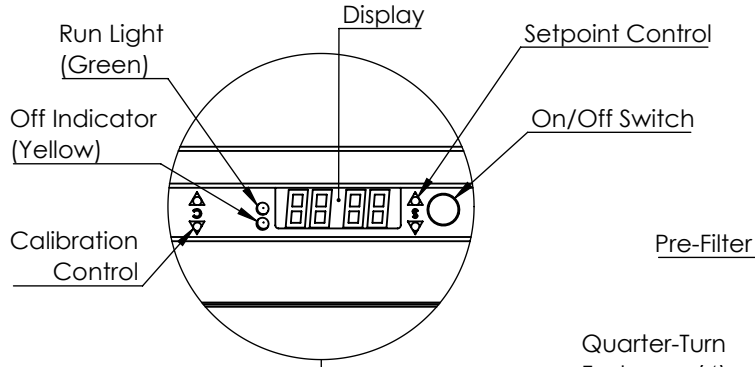


| | | | | | |
|--------------|--------------------|------------|----------------------------|-----|--------------|
| DRAWN SLG | MATERIAL 304SS | JOB NAME | TAG | QTY | REV # |
| CHKD RH | FINISH #4 SATIN | ENGINEER | DRAWING NAME 032520-162 | | SHT 2/3 |
| APRVD | SIZE 48 x 24 | CONTRACTOR | | | SCL 1:12 |
| | | | | | DO NOT SCALE |

RFCRFF-E-ARSM

REVERSE FLOW FAN FILTER UNIT - MOBILE UNIT

ARSM - Motor and Filter Accessible from Room Side



SECTION B-B



| | | | | | |
|--------------|--------------------|------------|----------------------------|-----|--------------|
| DRAWN SLG | MATERIAL 304SS | JOB NAME | TAG | QTY | REV # |
| CHKD RH | FINISH #4 SATIN | ENGINEER | DRAWING NAME 032520-162 | | SHT 3/3 |
| APRVD | SIZE 48 x 24 | CONTRACTOR | | | SCL 1:12 |
| | | | | | DO NOT SCALE |